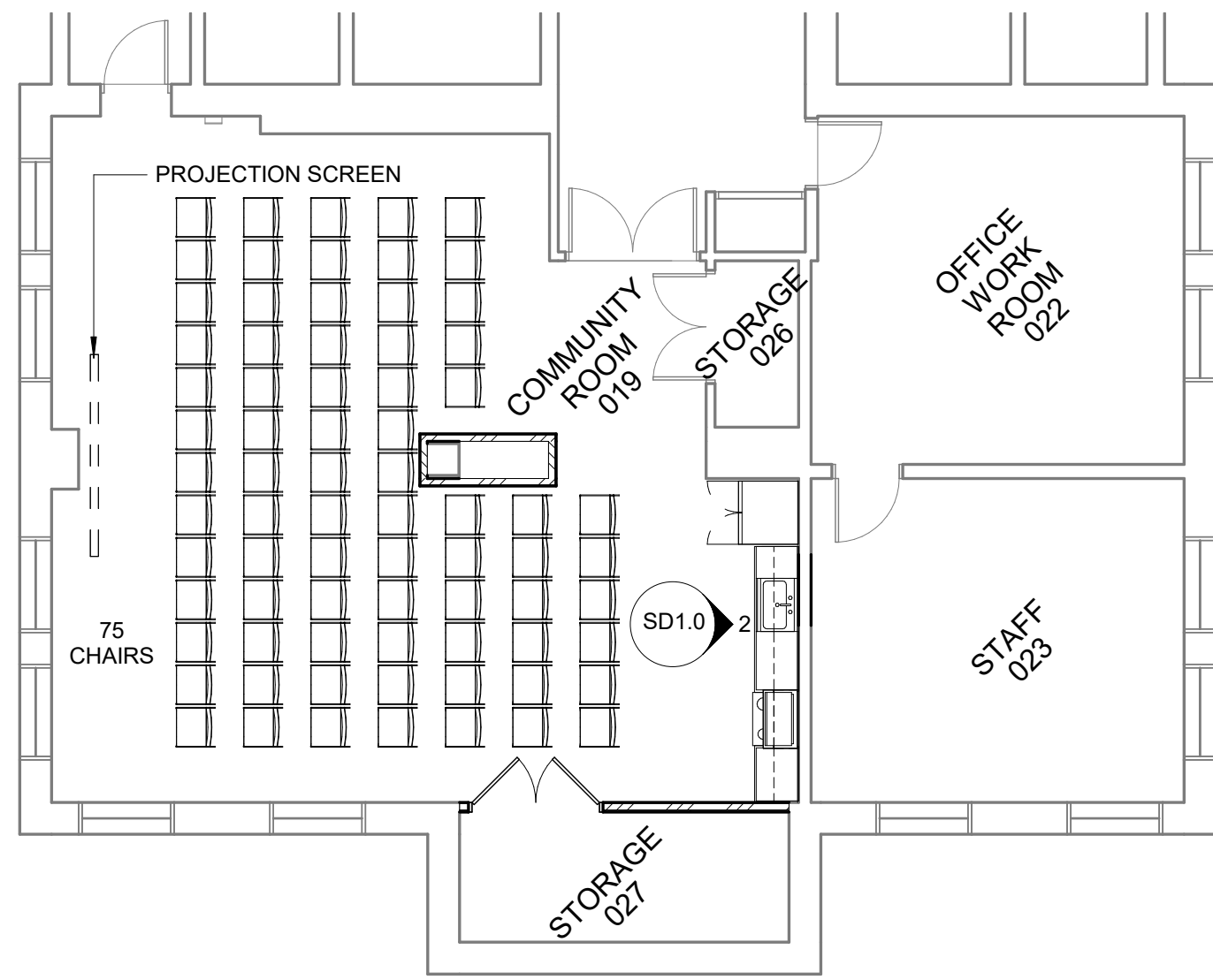
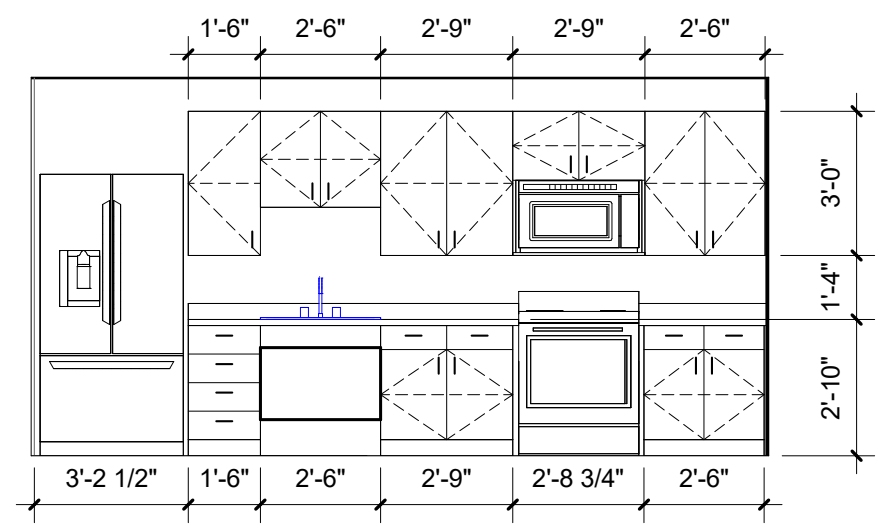


C:\Users\AshleyM\Documents\2021030 Estherville Library V2\_ashley.m26\WB.rvt

2/23/2022 9:09:30 AM




**1 LOWER LEVEL FLOOR PLAN**  
SCALE: 1/8" = 1'-0"



**2 CASEWORK ELEVATION**  
SCALE: 1/4" = 1'-0"

**PRELIMINARY**  
NOT FOR CONSTRUCTION



**FEH DESIGN**

SIOUX CITY, IA (712) 252-3889  
DES MOINES, IA (515) 288-2000  
DUBUQUE, IA (563) 583-4900  
OCONOMOWOC, WI (262) 968-2055

---

PROJECT TITLE: **Estherville Library Community Room Renovation**  
613 Central Ave  
Estherville, IA 51334

OWNER: **Estherville Library Community Room Renovation**

---

DATE ISSUED:	2.22.2022
REV. NO.	DATE
PROJECT NUMBER	2021030
SHEET	<b>SD1.0</b>

SHEET TITLE

FLOOR PLAN